










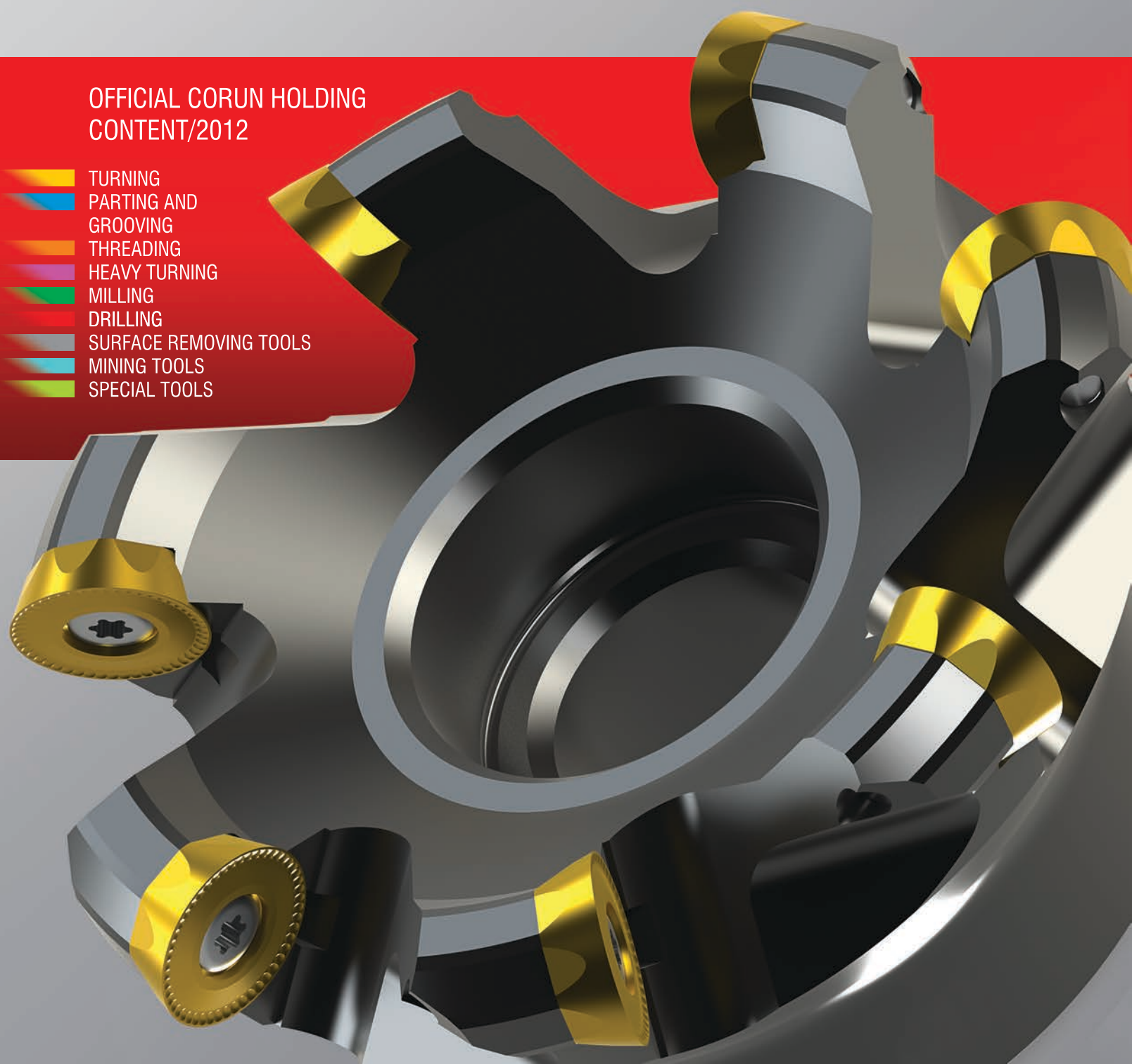


CATALOGUE/2012

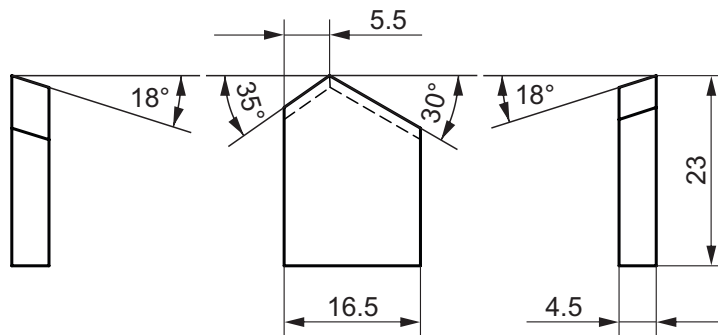
THE COMPLETE RANGE OF PRODUCTS

OFFICIAL CORUN HOLDING
CONTENT/2012

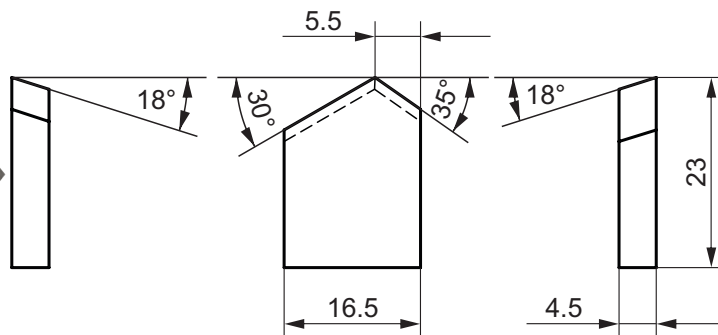
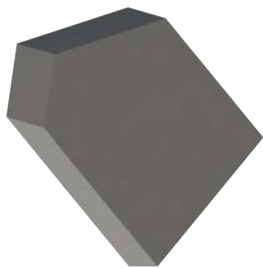
-  TURNING
-  PARTING AND GROOVING
-  THREADING
-  HEAVY TURNING
-  MILLING
-  DRILLING
-  SURFACE REMOVING TOOLS
-  MINING TOOLS
-  SPECIAL TOOLS



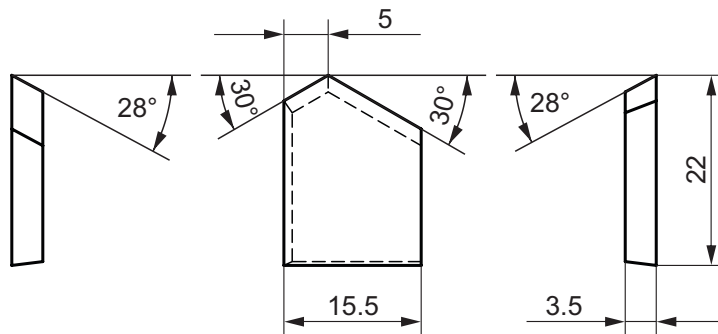
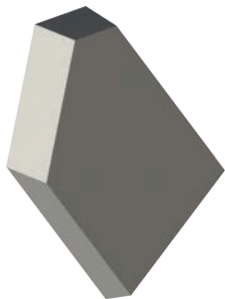
H.a Inserts for mining drills



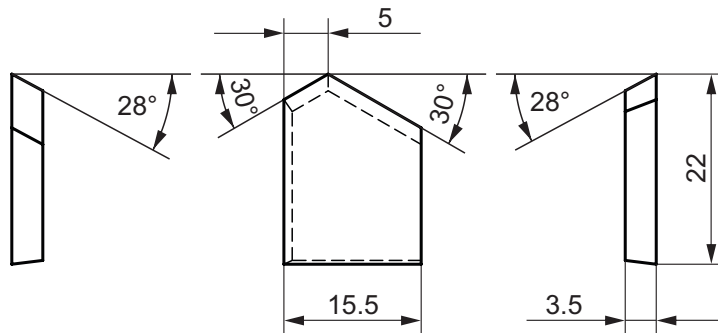
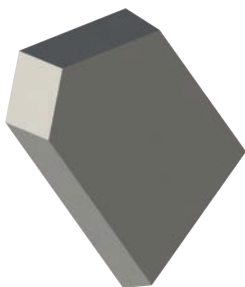
Ordering code	Grades			
	C08			
B-C-04.14.00	●			



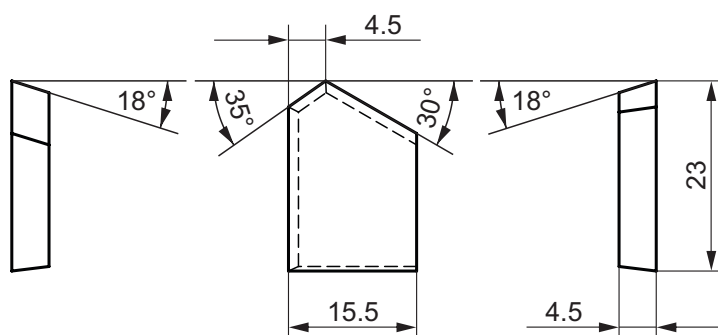
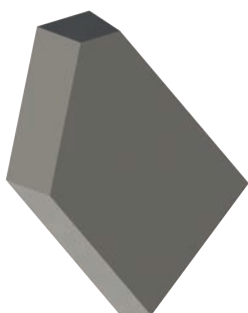
Ordering code	Grades			
	C08			
B-C-04.15.00	●			



Ordering code	Grades			
	C08			
C2-04.12.00	●			



Ordering code	Grades			
	C08			
C2-04.13.00	●			



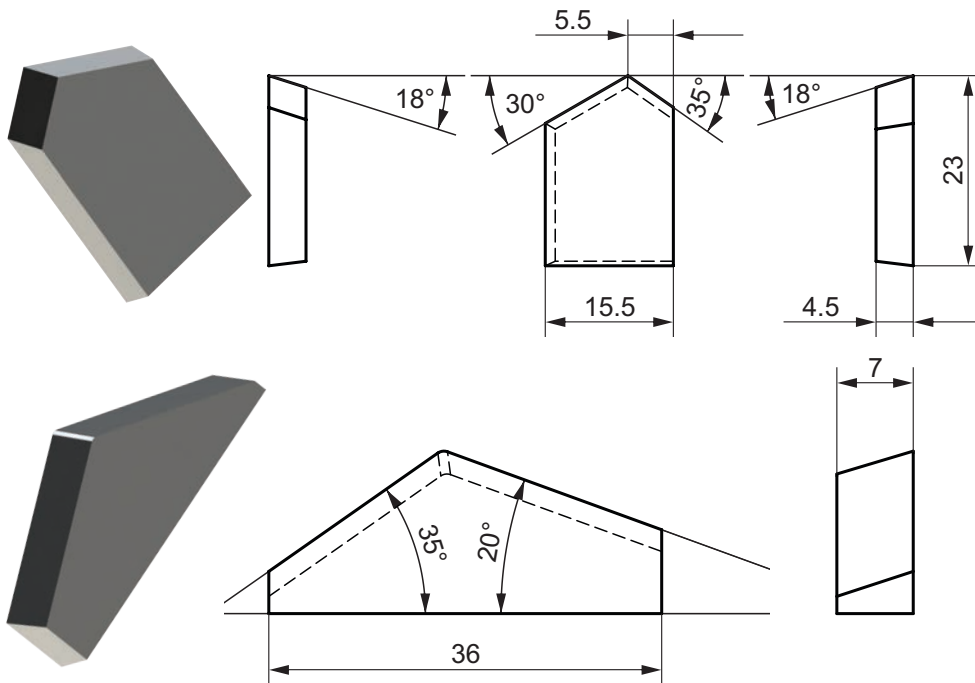
Ordering code	Grades			
	C08			
C2-04.14.00	●			

● First choice ● Second choice

H

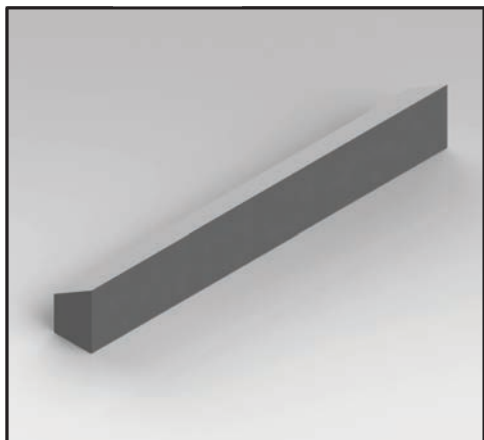
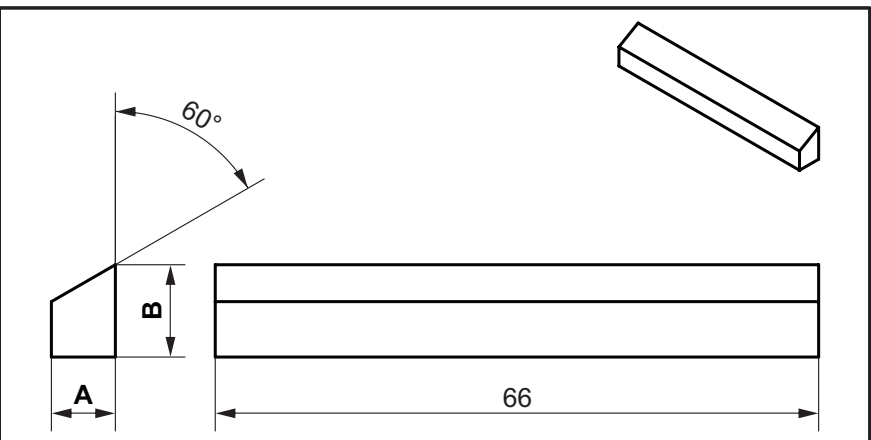
H
a1

H.a Inserts for mining drills

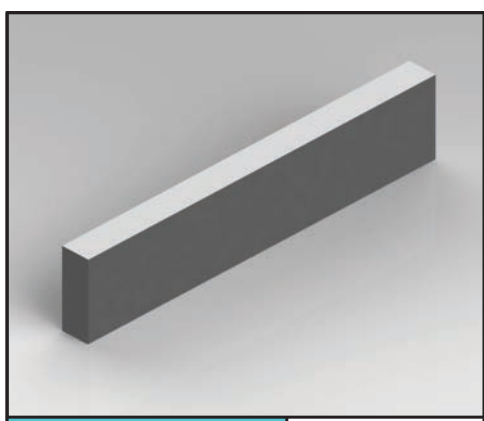
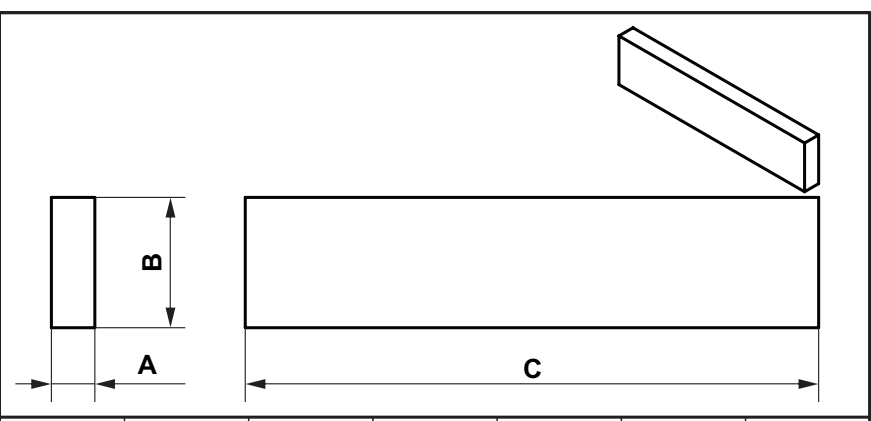


Ordering code	Grades							
	C08							
C2-04.15.00	●							

Ordering code	Grades							
	C08							
C2-07.36.00	●							

Dimensions (mm)	A	2.5	4.0	6.0	8.0	10.0	12.0
	B	7.5	8.4	9.5	10.2	11.8	13.0

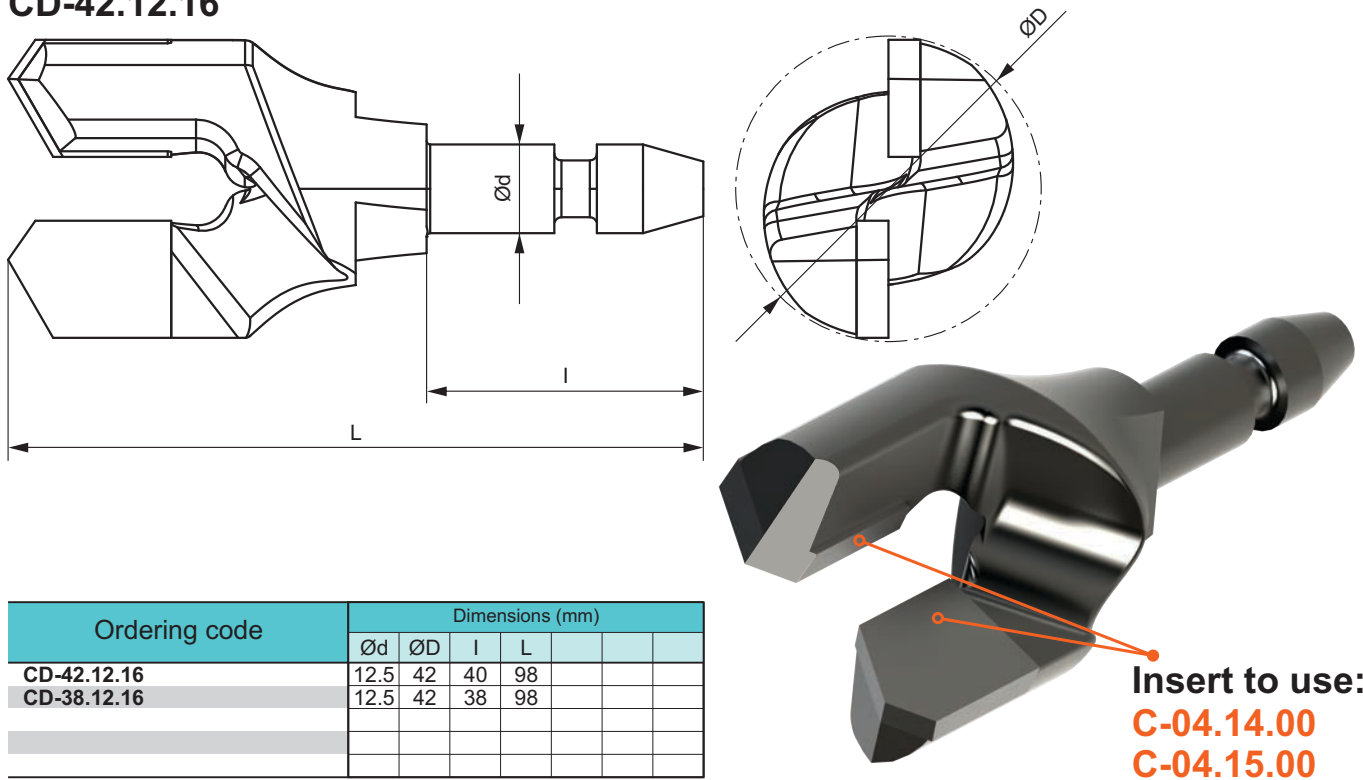



Dimensions (mm)	A	2.5	4.0	5.0	6.0	8.0	10.0	12.0
	B	22	22	20	22	22	22	22
	C	66	66	50 70	66	66	66	66

● First choice ● Second choice

H.b Mining drills

CD-42.12.16

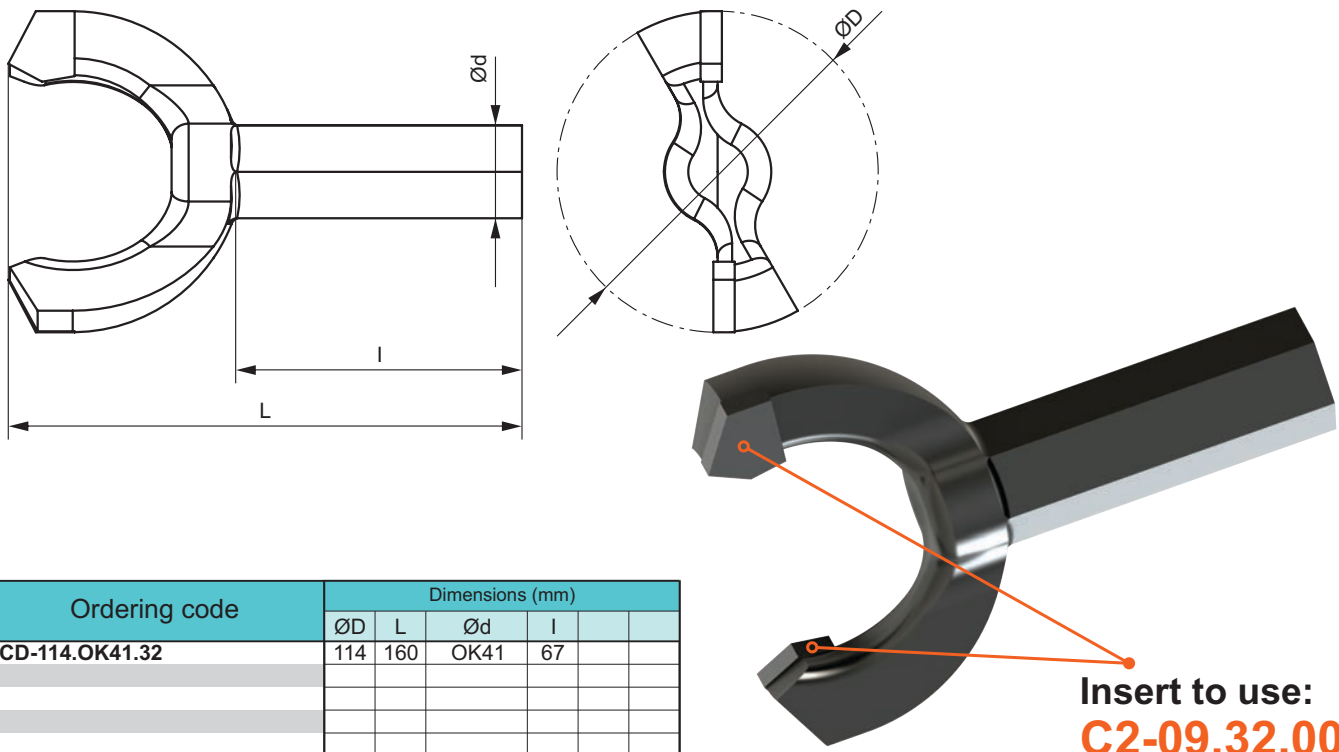


Ordering code	Dimensions (mm)			
	Ød	ØD	I	L
CD-42.12.16	12.5	42	40	98
CD-38.12.16	12.5	42	38	98

Insert to use:
C-04.14.00
C-04.15.00

CD-114.OK41.32

H



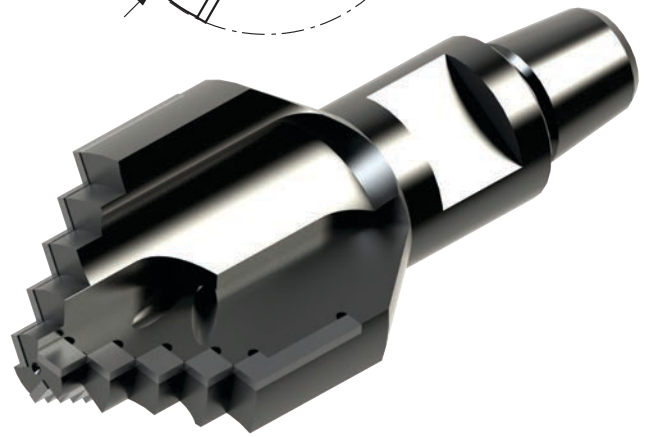
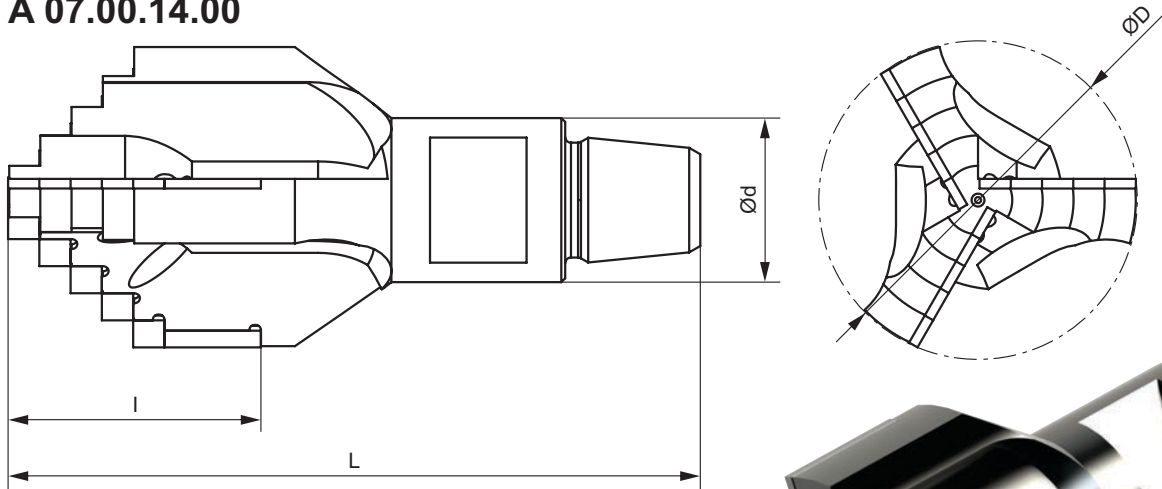
Ordering code	Dimensions (mm)			
	ØD	L	Ød	I
CD-114.OK41.32	114	160	OK41	67

Insert to use:
C2-09.32.00

H
b1

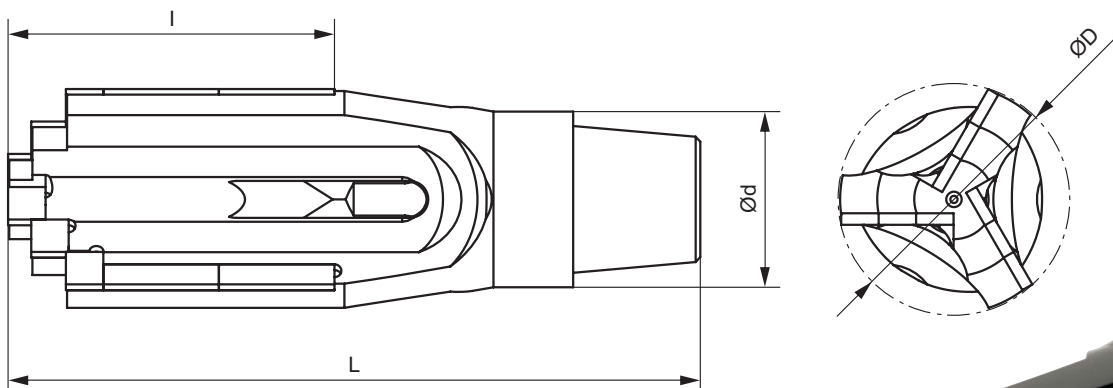
H.b Mining drills

A 07.00.14.00



Ordering code	Dimensions (mm)			
	Ød	ØD	I	L
A 07.00.14.00	85	156	135	360

CD A.SP.05.03 07



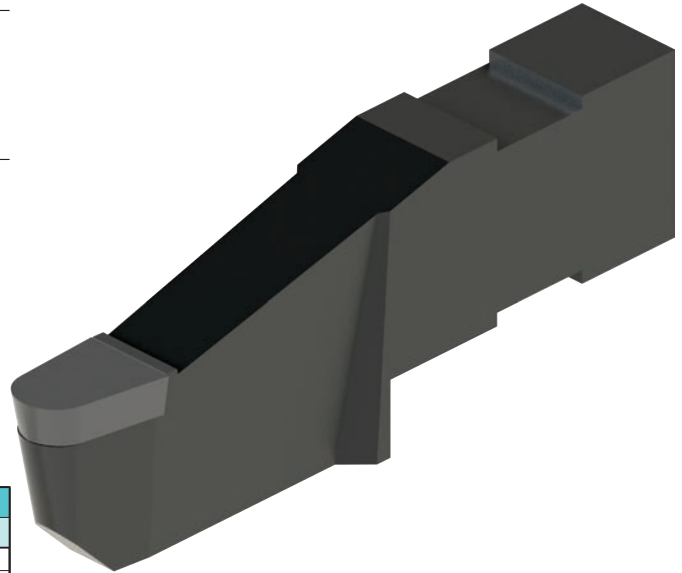
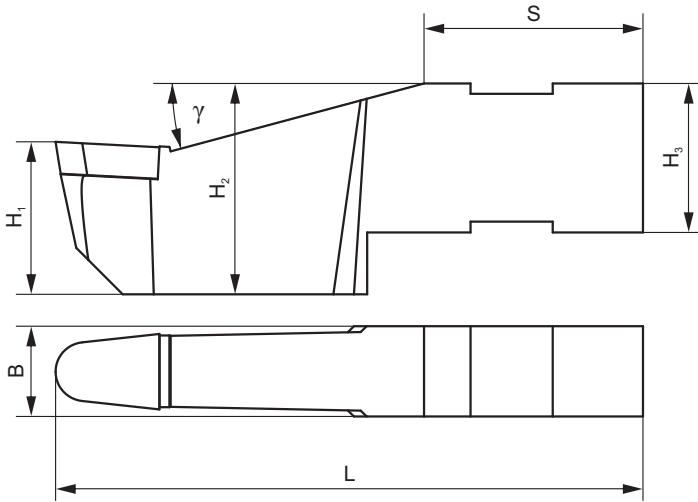
Ordering code	Dimensions (mm)			
	Ød	ØD	I	L
CD A.SP.05.03 07	76	100	140	300

H

H
b2

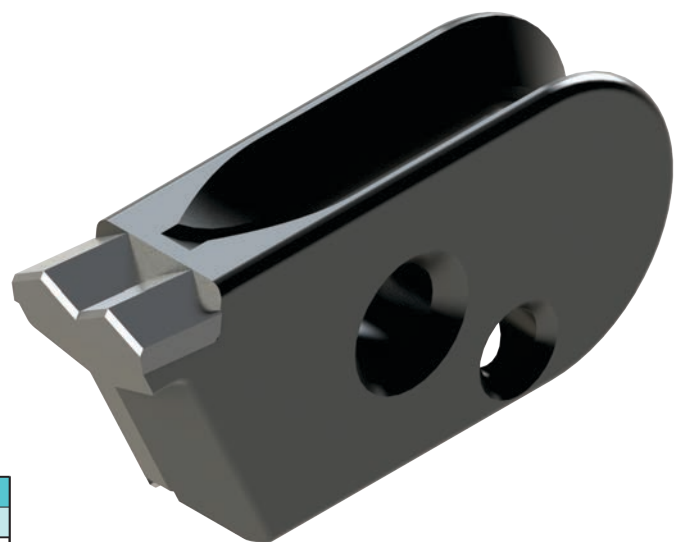
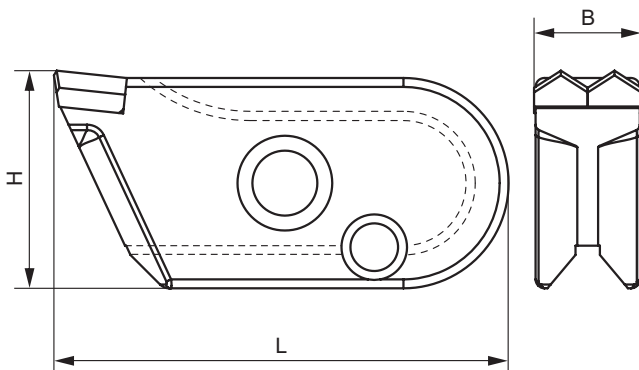
H.b Mining drills

CD-SCF-10320



Ordering code	Dimensions (mm)						
	B	L	H ₁	H ₂	H ₃	S	γ°
CD-SCF-10320	19	129	26.6	46.7	33	48.5	15

CD-36.150.73.US



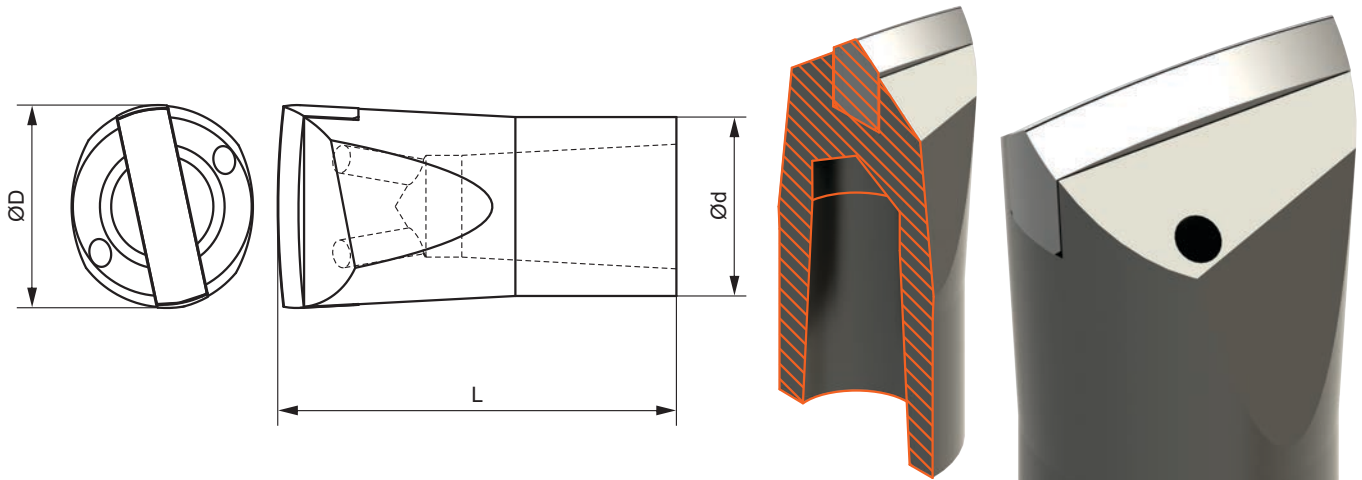
Ordering code	Dimensions (mm)			
	H	L	B	
CD-36.150.73.US	73	150	36	

H

H
b3

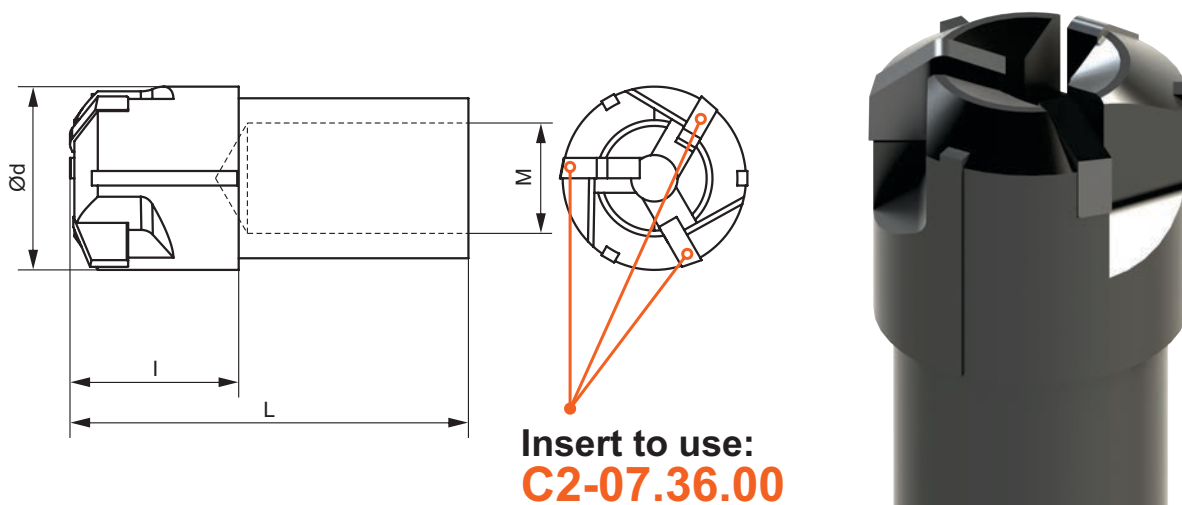
H.b Mining drills

Pikamer 040



Ordering code	Dimensions (mm)			
	Ød	ØD	L	
Pikamer 040	35	40	78	

CD-65-M42-130

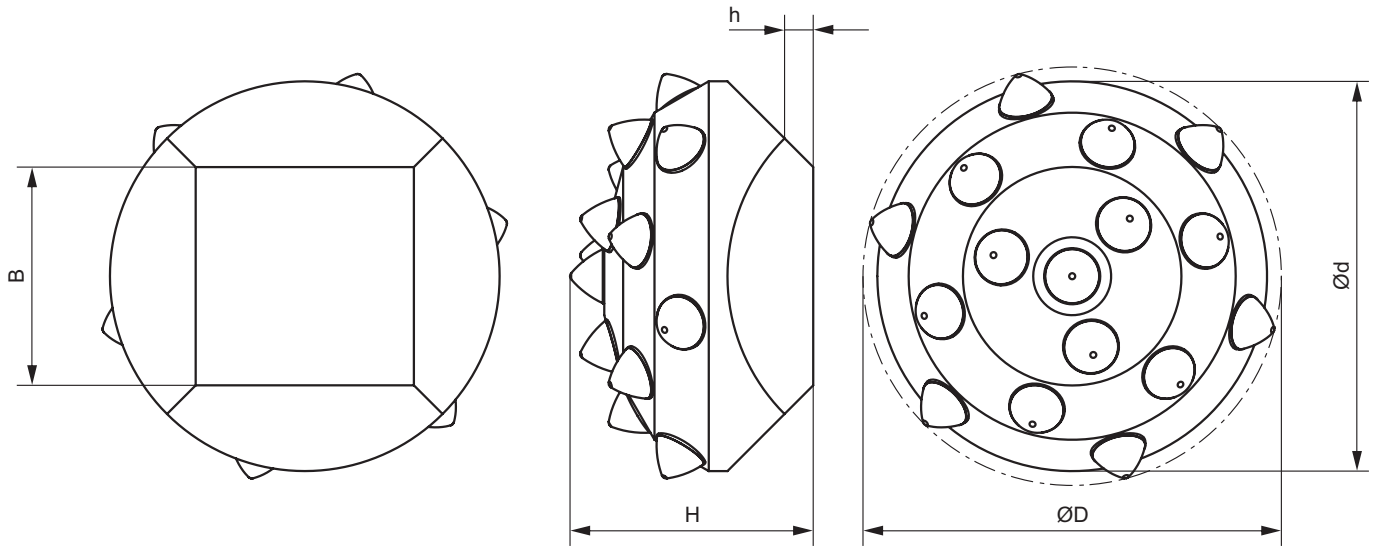


Ordering code	Dimensions (mm)			
	Ød	l	L	M
CD-65-M42-130	65	58	137	M42

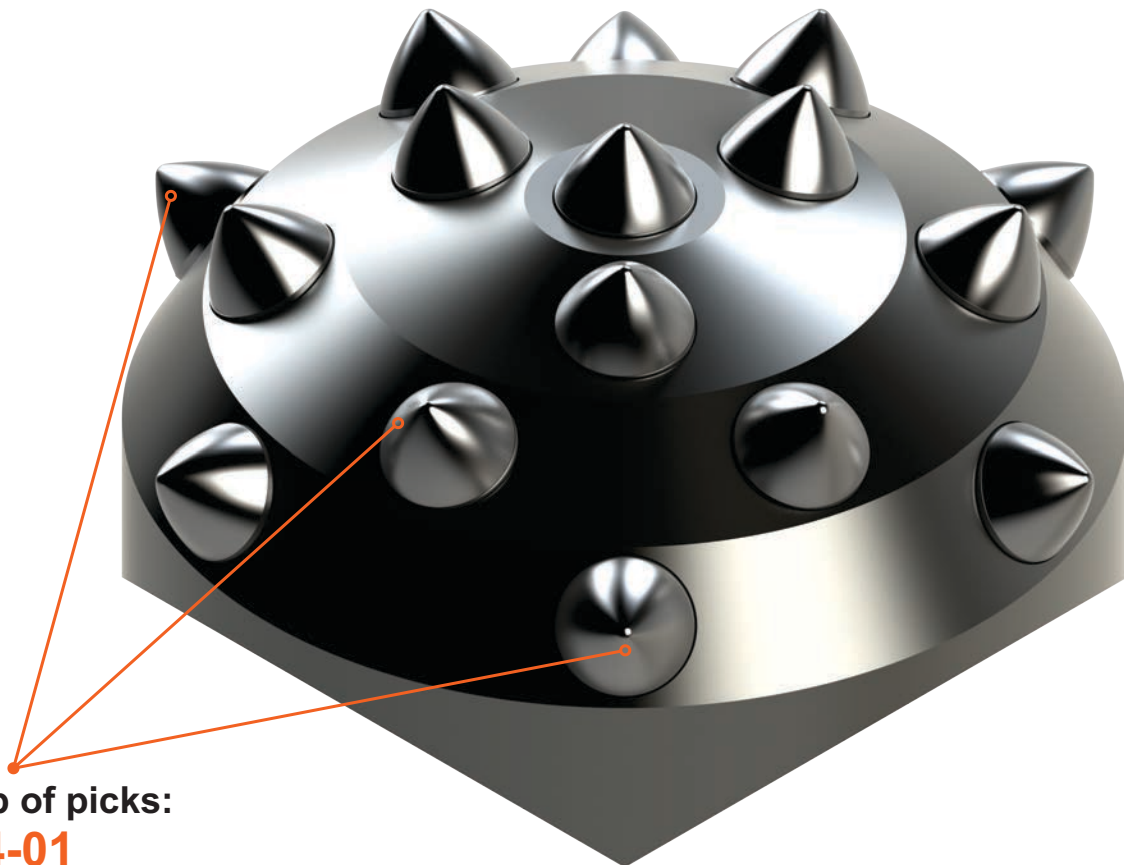
H

H.b Mining drills

CD-S.015.000.02



Ordering code	Dimensions (mm)						Pick Dimensions (mm)			
	Ød	ØD	H	h	B		S ₁	D	S	r
CD-S.015.000.02	125	130	98	10	70		18.0	17.5	28.5	1.5



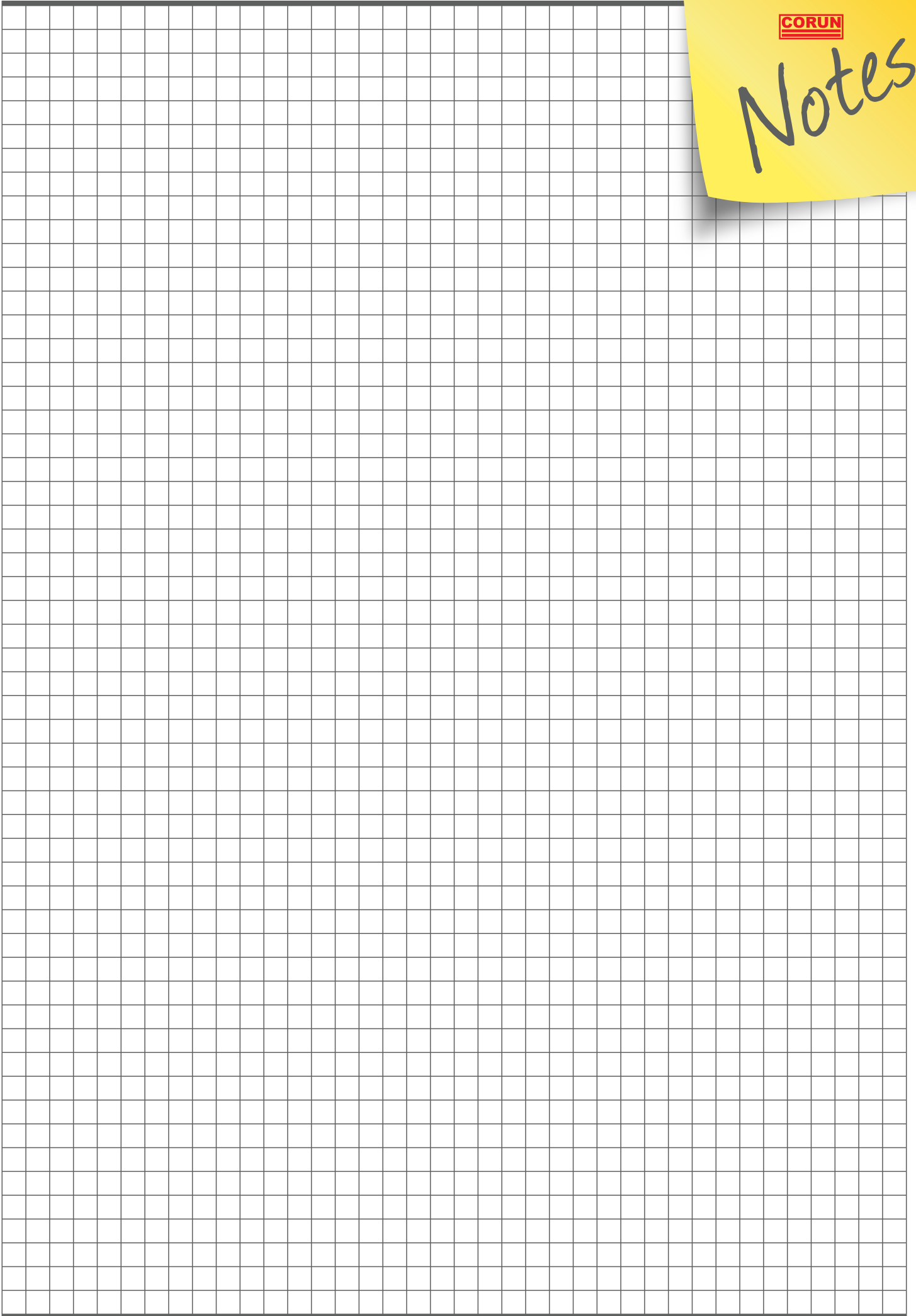
Top of picks:
C4-01

H

H
b5

CORUN

Notes



CORUN HOLDING d.o.o.

Miloša Obrenovića, Suite 2
Užice, Serbia 31000

phone: +381 31 / 563 344
fax: +381 31 / 563 461
e-mail: corunad@yahoo.com

SALES DEPARTMENT

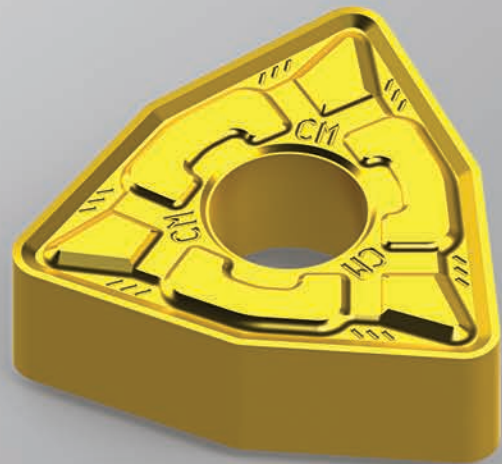
phone: +381 31 / 563 391
fax: +381 31 / 563 391
e-mail: sales@corun.rs

MARKETING

phone: +381 31 / 563 391
fax: +381 31 / 563 391
e-mail: marketing@corun.rs

DEVELOPMENT

phone: +381 31 / 563 400
e-mail: development@corun.rs



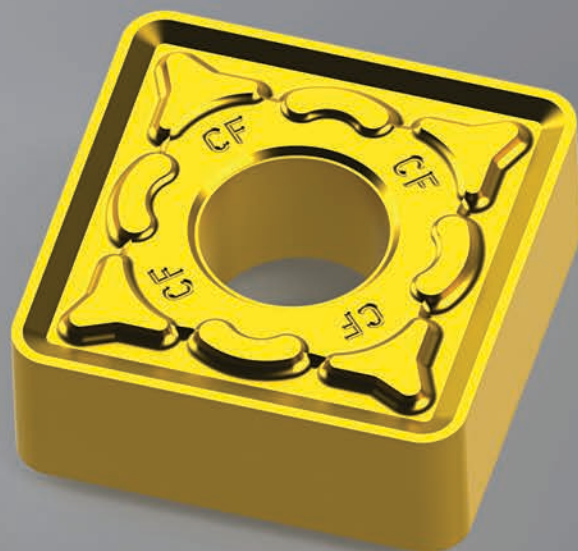
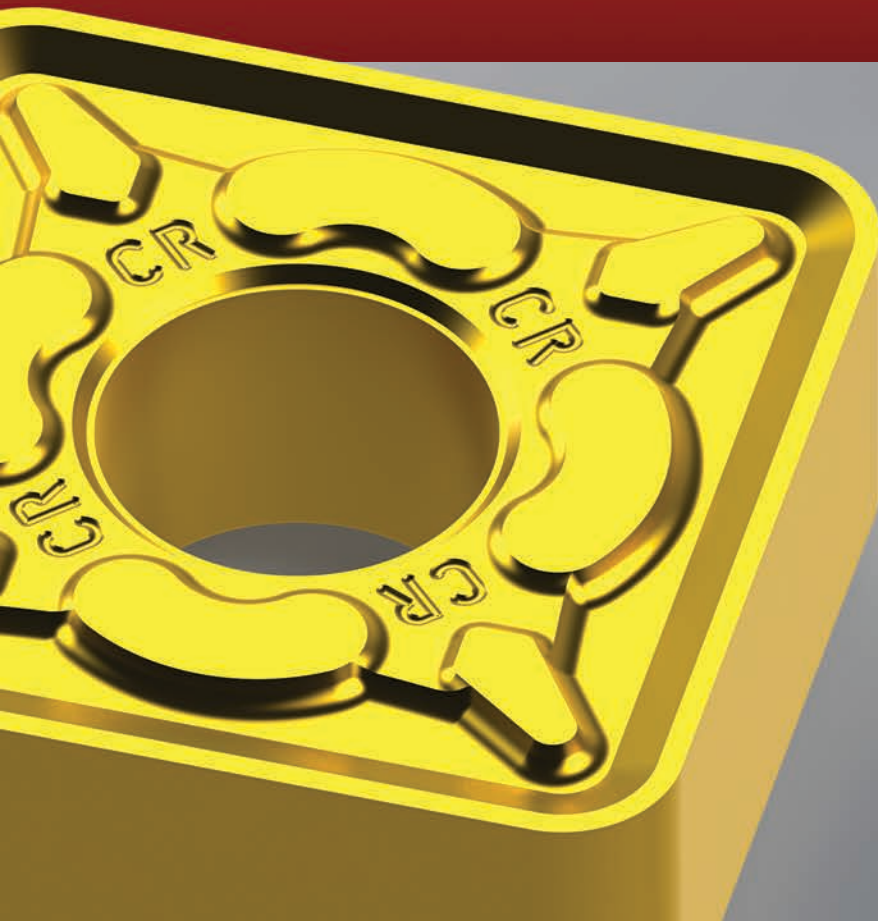
ABOUT COMPANY

CORUN HOLDING d.o.o. Užice, Serbia is factory for production of cemented carbide indexable inserts, toolholders, milling cutters and other special cutting tools based on cemented carbide.

Also, we produce tools for road and mining industry (picks for asphalt removing, cutters for canal digging, mining drill for deep hole drilling), as well as tools for cold heading and forming (cemented carbide dies for forging, pulling, squeamishing - all with corresponding pins).

CORUN HOLDING d.o.o has their own development and construction bureau, so we have a opportunity to give our customers complete technological answers for all problems in cutting industry.

One of the main target of **CORUN HOLDING** d.o.o. company is to be available all the time for our customers worldwide and to respond on all of Yours requests as soon as possible in order to make the best solutions together.



CORUN

WWW.CORUN.RS